



Compressor
Voltage Code : FZ

CAJ9510T-FZ

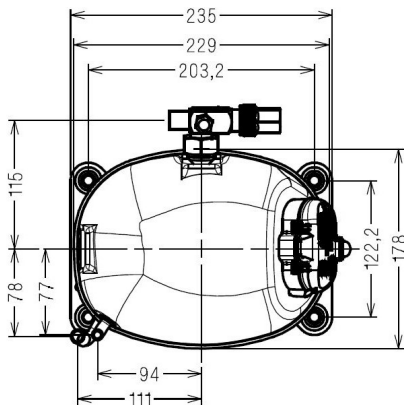
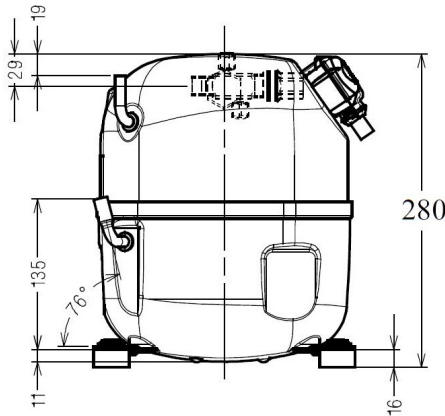
High Temp. Commercial (MHP)

220 - 240V 1~ 50 Hz

R22

AJK510T-FZ3B

Conditions	Frequency	Nominal Cooling Capacity		Sound Power ISO3745 / ISO 3743-1
		Watts	BTU/h	
EN12900_HP / R22	50 Hz	2297	7834	



Displacement (cc)	18,3
Net Weight (Kg)	20.7
Oil Quantity (cc)	475.0
Oil Type	Synthetic_Alkylate
Expansion Device	Capillary_Tube/Expansion_Valve
Cooling	Fan
Main Winding (Ohm)	2.4
Start Winding (Ohm)	8.8
Current	
RLA (A)	4.8
MCC (A)	7.8
LRA (A)	29.5
Electrical Equipment	CSR
Overload	MST22AIN
Time Check	7.5s - 14s / 20.5 A
Open Temp	120° C
Close Temp	69° C
Optional	T0489
Start Capacitor	100 µF / 330 V
Run Capacitor	15 µF / 400 V
Potential Relay	RVA40**
Pick Up	280/310V
Drop Out	60/121V
Optional	3ARR3*6AC*
Refrigerating connection for OD	
Suction Tube	15.9 (5/8")
Discharge Tube	7.9 (5/16")
Process Tube	6.35 (1/4")

* EN12900_HP : T°Cond. 50.0°C / T°Evap. 5.0°C / T°Return gas temp.. 20.0°C
T°Subcooling. 0.0K

Certificates :



Note : Tecumseh reserves the right to change information contained in this document without notification.



Tecumseh

CAJ9510T-FZ	Tension FZ : 220 - 240V 1~ 50 Hz
--------------------	---

Les performances sont données dans les conditions EN12900_HP : Condition Dew	Gaz aspirés : 20.0 °C Sous refroidissement : 0.0 K
The performance data are in EN12900_HP conditions : Dew Condition	Return gas : 20.0 °C Subcooling : 0.0 K

50 Hz R22

N°234ET-FZ

4 T condensation	5 T évaporation	(°C)	-20	-15	-10	-5	0	5	10	15
40	1 P frigorifique	(Watt)	890	1139	1432	1779	2187	2665	3221	3863
	2 P absorbée	(W)	601	662	717	767	812	853	889	921
	3 I absorbée	(A)	2.90	3.17	3.42	3.64	3.84	4.02	4.18	4.32
50	1 P frigorifique	(Watt)	741	965	1224	1527	1882	2297	2781	3342
	2 P absorbée	(W)	624	704	779	847	910	968	1021	1070
	3 I absorbée	(A)	2.99	3.34	3.68	3.99	4.28	4.54	4.79	5.01
60	1 P frigorifique	(Watt)		787	1015	1277	1582	1938	2352	2835
	2 P absorbée	(W)		730	827	917	1002	1082	1155	1224
	3 I absorbée	(A)		3.49	3.91	4.30	4.68	5.03	5.36	5.67

© 2021 Tecumseh Products Company
All rights reserved

1 = cooling capacity 2 = power input 3 = current 4 = condensing temperature 5 = evaporating temperature

Nota : Tecumseh se réserve le droit de modifier les informations contenues dans ce document sans préavis.

Note : Tecumseh reserves the right to change information contained in this document without notification.