



Compressor
Voltage Code : TZ

TAJ4517T-TZ

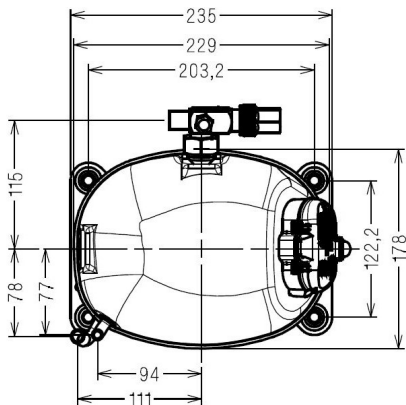
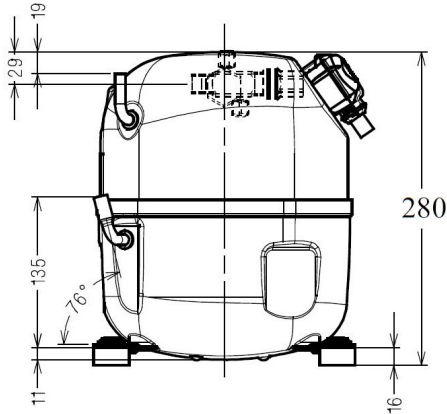
High Temp. Commercial (HP)

400V 3~ 50Hz / 440V 3~ 60 Hz

R22

AJ4517T-TZ1C

Conditions	Frequency	Nominal Cooling Capacity		Sound Power ISO3745 / ISO 3743-1
		Watts	BTU/h	
EN12900_MHP / R22	50 Hz / 60 Hz	2009 / 2407	6849 / 8209	70 dBA



Displacement (cc)	25,95
Net Weight (Kg)	19.3
Oil Quantity (cc)	475.0
Oil Type	Mineral
Expansion Device	Capillary_Tube/Expansion_Valve
Cooling	Fan
Main Winding (Ohm)	11.0
Current	
RLA (A)	2.5 2.7
MCC (A)	3.7 3.7
LRA (A)	18 18
Electrical Equipment	TRI
Overload	Interne
Refrigerating connection for OD	
Suction Tube	15.9 (5/8")
Discharge Tube	9.5 (3/8")
Process Tube	6.35 (1/4")

* EN12900_MHP : T°Cond. 45.0°C / T°Evap. -10.0°C / T°Return gas temp.. 20.0°C
T°Subcooling. 0.0K

Certificates :



Note : Tecumseh reserves the right to change information contained in this document without notification.



Tecumseh

TAJ4517T-TZ	Tension TZ : 400V 3~ 50Hz / 440V 3~ 60 Hz
--------------------	--

Les performances sont données dans les conditions EN12900_MHP :	Gaz aspirés :	20.0 °C
Condition Dew	Sous refroidissement :	0.0 K
The performance data are in EN12900_MHP conditions :	Return gas :	20.0 °C
Dew Condition	Subcooling :	0.0 K

50 Hz R22

				N°234LU-TZ							
4 T condensation	5 T évaporation	(°C)	-20	-15	-10	-5	0	5	10	15	
40	1 P frigorifique	(Watt)	1264	1706	2205	2758	3364	4020	4725	5477	
	2 P absorbée	(W)	928	987	1046	1106	1165	1225	1285	1345	
	3 I absorbée	(A)	1.99	2.02	2.05	2.09	2.14	2.19	2.25	2.31	
50	1 P frigorifique	(Watt)	982	1369	1807	2293	2826	3403	4022	4681	
	2 P absorbée	(W)	877	978	1075	1168	1259	1346	1429	1509	
	3 I absorbée	(A)	1.89	1.97	2.07	2.16	2.26	2.36	2.46	2.57	
60	1 P frigorifique	(Watt)		1012	1396	1822	2288	2793	3332	3905	
	2 P absorbée	(W)		967	1103	1231	1353	1467	1575	1675	
	3 I absorbée	(A)		1.94	2.08	2.23	2.38	2.53	2.68	2.83	

60 Hz R22

				N°234LU-TZ							
4 T condensation	5 T évaporation	(°C)	-20	-15	-10	-5	0	5	10	15	
40	1 P frigorifique	(Watt)	1504	2047	2643	3291	3990	4736	5529	6365	
	2 P absorbée	(W)	1105	1203	1298	1393	1486	1578	1668	1757	
	3 I absorbée	(A)	1.83	1.94	2.05	2.16	2.26	2.36	2.46	2.55	
50	1 P frigorifique	(Watt)	1165	1641	2165	2736	3351	4008	4706	5440	
	2 P absorbée	(W)	1043	1191	1334	1472	1605	1733	1856	1973	
	3 I absorbée	(A)	1.72	1.90	2.07	2.23	2.39	2.55	2.70	2.84	
60	1 P frigorifique	(Watt)		1213	1672	2173	2713	3288	3898	4538	
	2 P absorbée	(W)		1179	1370	1552	1726	1890	2046	2192	
	3 I absorbée	(A)		1.86	2.09	2.31	2.52	2.73	2.94	3.13	

1 = cooling capacity 2 = power input 3 = current 4 = condensing temperature 5 = evaporating temperature

Nota : Tecumseh se réserve le droit de modifier les informations contenues dans ce document sans préavis.
Note : Tecumseh reserves the right to change information contained in this document without notification.

© 2021 Tecumseh Products Company
All rights reserved