



Compressor
Voltage Code : XC

FH2480Z-XC

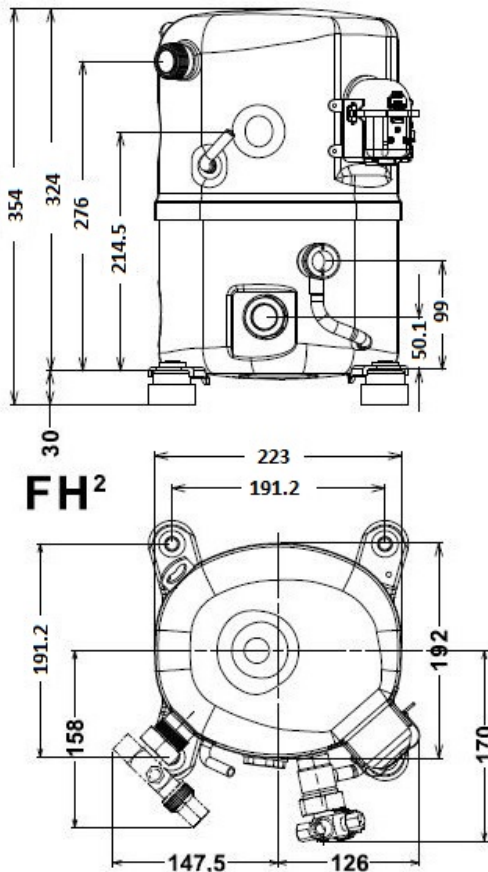
Low Temp. Commercial (BP)

220 - 240V 1~ 50 Hz

R452A / R404A / R448A / R449A

FH2480Z-XC3A

| Conditions | Frequency | Nominal Cooling Capacity | | Sound Power ISO3745 / ISO 3743-1 |
|-----------------|-----------|--------------------------|-------|-------------------------------------|
| | | Watts | BTU/h | |
| EN12900 / R452A | 50 Hz | 1146 | 3908 | 72 dBA |
| EN12900 / R404A | 50 Hz | 1281 | 4367 | 72 dBA |
| EN12900 / R448A | 50 Hz | 1003 | 3421 | 72 dBA |
| EN12900 / R449A | 50 Hz | 1003 | 3421 | 72 dBA |



| | |
|--|--------------------------------|
| Displacement (cc) | 54,3 |
| Net Weight (Kg) | 29.0 |
| Oil Quantity (cc) | 1140.0 |
| Oil Type | Polyolester |
| Expansion Device | Capillary_Tube/Expansion_Valve |
| Cooling | Fan |
| Main Winding (Ohm) | 0.73 |
| Start Winding (Ohm) | 2.07 |
| Current | |
| RLA (A) | 9 |
| MCC (A) | 12 |
| LRA (A) | 65 |
| Electrical Equipment | CSR |
| Overload | Interne |
| Start Capacitor | 156 µF / 330 V |
| Run Capacitor | 45 µF / 400 V |
| Potential Relay | RVA4AL** |
| Pick Up | 223/252V |
| Drop Out | 60/121V |
| Refrigerating connection for OD | |
| Suction Tube | 15.9 (5/8") |
| Discharge Tube | 12.7 (1/2") |
| Process Tube | 6.35 (1/4") |

* EN12900 : T°Cond. 40.0°C / T°Evap. -35.0°C / T°Return gas temp.. 20.0°C
T°Subcooling. 0.0K

Certificates :



Note : Tecumseh reserves the right to change information contained in this document without notification.



Tecumseh

| | |
|-------------------|---|
| FH2480Z-XC | Tension XC : 220 - 240V 1~ 50 Hz |
|-------------------|---|

Les performances sont données dans les **conditions EN12900** :
 Condition Dew
 The performance data are in **EN12900 conditions** :
 Dew Condition

Gaz aspirés : 20.0 °C
 Sous refroidissement : 0.0 K
 Return gas : 20.0 °C
 Subcooling : 0.0 K

© 2021 Tecumseh Products Company
All rights reserved

50 Hz R452A

N°User-194

| 4 T condensation | 5 T évaporation | (°C) | -40 | -35 | -30 | -25 | -20 | -15 | -10 |
|--------------------|--------------------|--------|------|------|------|------|------|------|------|
| 30 | 1 P frigorifique | (Watt) | 1043 | 1550 | 2180 | 2946 | 3865 | 4950 | 6217 |
| | 2 P absorbée | (W) | 908 | 1120 | 1331 | 1537 | 1734 | 1917 | 2082 |
| | 3 I absorbée | (A) | 6.38 | 6.73 | 7.12 | 7.54 | 8.00 | 8.50 | 9.03 |
| 40 | 1 P frigorifique | (Watt) | 695 | 1146 | 1702 | 2379 | 3190 | 4151 | 5277 |
| | 2 P absorbée | (W) | 831 | 1081 | 1335 | 1591 | 1845 | 2091 | 2325 |
| | 3 I absorbée | (A) | 6.11 | 6.63 | 7.17 | 7.74 | 8.35 | 8.99 | 9.67 |
| 50 | 1 P frigorifique | (Watt) | | 745 | 1219 | 1797 | 2493 | 3322 | 4299 |
| | 2 P absorbée | (W) | | 981 | 1280 | 1587 | 1898 | 2208 | 2512 |
| | 3 I absorbée | (A) | | 6.29 | 6.99 | 7.73 | 8.49 | 9.29 | 10.1 |
| 60 | 1 P frigorifique | (Watt) | | | | 1218 | 1791 | 2479 | 3298 |
| | 2 P absorbée | (W) | | | | 1517 | 1886 | 2261 | 2636 |
| | 3 I absorbée | (A) | | | | 7.48 | 8.41 | 9.37 | 10.4 |

50 Hz R404A

N°User-193

| 4 T condensation | 5 T évaporation | (°C) | -40 | -35 | -30 | -25 | -20 | -15 | -10 |
|--------------------|--------------------|--------|------|------|------|------|------|------|------|
| 30 | 1 P frigorifique | (Watt) | 1176 | 1700 | 2346 | 3127 | 4057 | 5150 | 6419 |
| | 2 P absorbée | (W) | 993 | 1214 | 1432 | 1643 | 1843 | 2026 | 2190 |
| | 3 I absorbée | (A) | 6.98 | 7.30 | 7.66 | 8.06 | 8.50 | 8.98 | 9.50 |
| 40 | 1 P frigorifique | (Watt) | 817 | 1281 | 1847 | 2531 | 3345 | 4303 | 5419 |
| | 2 P absorbée | (W) | 931 | 1190 | 1453 | 1715 | 1972 | 2220 | 2453 |
| | 3 I absorbée | (A) | 6.84 | 7.30 | 7.80 | 8.34 | 8.92 | 9.54 | 10.2 |
| 50 | 1 P frigorifique | (Watt) | | 868 | 1348 | 1926 | 2615 | 3431 | 4386 |
| | 2 P absorbée | (W) | | 1110 | 1418 | 1732 | 2047 | 2359 | 2663 |
| | 3 I absorbée | (A) | | 7.11 | 7.75 | 8.44 | 9.16 | 9.92 | 10.7 |
| 60 | 1 P frigorifique | (Watt) | | | 865 | 1329 | 1887 | 2551 | 3337 |
| | 2 P absorbée | (W) | | | 1325 | 1690 | 2063 | 2440 | 2816 |
| | 3 I absorbée | (A) | | | 7.51 | 8.33 | 9.20 | 10.1 | 11.1 |

1 = cooling capacity 2 = power input 3 = current 4 = condensing temperature 5 = evaporating temperature

Nota : Tecumseh se réserve le droit de modifier les informations contenues dans ce document sans préavis.

Note : Tecumseh reserves the right to change information contained in this document without notification.



Tecumseh

| | |
|-------------------|---|
| FH2480Z-XC | Tension XC : 220 - 240V 1~ 50 Hz |
|-------------------|---|

Les performances sont données dans les **conditions EN12900** :
 Condition Dew
 The performance data are in **EN12900 conditions** :
 Dew Condition

Gaz aspirés : 20.0 °C
 Sous refroidissement : 0.0 K
 Return gas : 20.0 °C
 Subcooling : 0.0 K

| 50 Hz R448A (*) | | | | | | | | |
|------------------------|--------------------|--------|------------|------------|------------|------------|------------|------------|
| N°User-196 | | | | | | | | |
| 4 T condensation | 5 T évaporation | (°C) | -35 | -30 | -25 | -20 | -15 | -10 |
| 30 | 1 P frigorifique | (Watt) | 1359 | 1947 | 2672 | 3549 | 4597 | 5831 |
| | 2 P absorbée | (W) | 1037 | 1240 | 1440 | 1631 | 1809 | 1970 |
| | 3 I absorbée | (A) | 6.23 | 6.63 | 7.06 | 7.53 | 8.02 | 8.55 |
| 40 | 1 P frigorifique | (Watt) | 1003 | 1530 | 2180 | 2968 | 3911 | 5027 |
| | 2 P absorbée | (W) | 994 | 1239 | 1488 | 1734 | 1975 | 2205 |
| | 3 I absorbée | (A) | 6.10 | 6.65 | 7.24 | 7.85 | 8.49 | 9.17 |
| 50 | 1 P frigorifique | (Watt) | 646 | 1106 | 1674 | 2367 | 3201 | 4194 |
| | 2 P absorbée | (W) | 894 | 1182 | 1479 | 1782 | 2086 | 2386 |
| | 3 I absorbée | (A) | 5.73 | 6.46 | 7.20 | 7.98 | 8.78 | 9.61 |
| 60 | 1 P frigorifique | (Watt) | | | 1175 | 1766 | 2486 | 3349 |
| | 2 P absorbée | (W) | | | 1409 | 1769 | 2136 | 2506 |
| | 3 I absorbée | (A) | | | 6.94 | 7.89 | 8.85 | 9.85 |

| 50 Hz R449A (*) | | | | | | | | |
|------------------------|--------------------|--------|------------|------------|------------|------------|------------|------------|
| N°User-195 | | | | | | | | |
| 4 T condensation | 5 T évaporation | (°C) | -35 | -30 | -25 | -20 | -15 | -10 |
| 30 | 1 P frigorifique | (Watt) | 1359 | 1947 | 2672 | 3549 | 4597 | 5831 |
| | 2 P absorbée | (W) | 1037 | 1240 | 1440 | 1631 | 1809 | 1970 |
| | 3 I absorbée | (A) | 6.23 | 6.63 | 7.06 | 7.53 | 8.02 | 8.55 |
| 40 | 1 P frigorifique | (Watt) | 1003 | 1530 | 2180 | 2968 | 3911 | 5027 |
| | 2 P absorbée | (W) | 994 | 1239 | 1488 | 1734 | 1975 | 2205 |
| | 3 I absorbée | (A) | 6.10 | 6.65 | 7.24 | 7.85 | 8.49 | 9.17 |
| 50 | 1 P frigorifique | (Watt) | 646 | 1106 | 1674 | 2367 | 3201 | 4194 |
| | 2 P absorbée | (W) | 894 | 1182 | 1479 | 1782 | 2086 | 2386 |
| | 3 I absorbée | (A) | 5.73 | 6.46 | 7.20 | 7.98 | 8.78 | 9.61 |
| 60 | 1 P frigorifique | (Watt) | | | 1175 | 1766 | 2486 | 3349 |
| | 2 P absorbée | (W) | | | 1409 | 1769 | 2136 | 2506 |
| | 3 I absorbée | (A) | | | 6.94 | 7.89 | 8.85 | 9.85 |

1 = cooling capacity 2 = power input 3 = current 4 = condensing temperature 5 = evaporating temperature

(*) Veuillez vous référer strictement aux Recommandations d'Utilisation et Bulletins Marketing Tecumseh du fait de la température de reflux élevée pour les applications LBP.
 (*) Due to very high discharge temperature especially on LBP conditions, please strictly refer to Tecumseh Guidelines & Marketing Bulletin when using this refrigerant.

Nota : Tecumseh se réserve le droit de modifier les informations contenues dans ce document sans préavis.

Note : Tecumseh reserves the right to change information contained in this document without notification.

© 2021 Tecumseh Products Company
All rights reserved